

Meeting Date
April 2, 2015



AGENDA	
Section	CONSENT
Item No.	II A

AGENDA REPORT
BREVARD COUNTY BOARD OF COUNTY COMMISSIONERS

SUBJECT:	APPROVAL TO PURCHASE REPLACEMENT 2500 GALLON WATER TANKER Fiscal Impact: \$ 243,847.00
DEPT/OFFICE:	Fire Rescue/Central Services

Requested Action:

Request the Board approve the purchase of one (1) replacement Tanker from Pierce through Ten-8 Fire Equipment, Inc. Pierce is an approved vendor selected through a competitive bidding process (Florida Sheriffs Bid No. 15-11-0116 Specification #15 – 2500 Gallon Mobile Water Supply Apparatus) completed by the Florida Fire Chiefs Association, Florida Sheriffs Association and Florida Association of Counties.

Summary Explanation & Background:

Water Tanker fire apparatus are designed to provide firefighting water for structure and wildland fires in rural areas and/or geographical areas that do not have adequate fire hydrants. As a result, tankers play an important role in the Insurance Services Organization's (I.S.O.) Public Protection Class rating, which has a heavy water supply component, and ultimately determines how much a resident pays in insurance premiums.

The requested water tanker will be replacing the existing Tanker 87 (assigned to Grant/Valkaria Station 87). Tanker 87 is a 1997 (18 years old) Freightliner 2500 Gallon Water Tanker PR# 342-0035. The tanker unit has been permanently taken out of service for safety reasons attributed to deteriorated frame rails on the chassis, several holes in the 2500 gallon water tank and significant rust on the chassis. The tanker has been repaired on several occasions and now has become not cost effective to repair. Staff considered refurbishing the existing vehicle, however the cost of refurbishment was \$214,631 versus a new price of \$243,847. This is a difference of \$29,216 and Fire Rescue would have a new tanker versus an 18 year old tanker with new parts. The old tanker will be surplused and sold through auction following all Board Policies to offset the price of the new tanker.

Fire Rescue staff recommends utilization of the Florida Fire Chiefs' Association, Florida Sheriffs' Association and Florida Association of Counties bid to purchase the Tanker from Pierce. The quote for one (1) Tanker is \$243,847.00 and is attached. This replacement tanker apparatus was not included in the approved capital for FY15, however, Fire Rescue did budget apparatus capital funds in the FY 15 budget for a pumper-tanker (1350-284000-5642000). The pumper-tanker vehicle purchase will be deferred to the following year and a portion of the pumper-tanker funds will be used to purchase the needed water tanker replacement this year.

Clerk to the Board Instructions:

Exhibits Attached: FSA Specification #15 and options, Pierce price proposal.

Contract /Agreement (If attached): Reviewed by County Attorney		Yes	<input type="checkbox"/>	No	<input type="checkbox"/>	PR	<input type="checkbox"/>
County Manager		Assistant County Manager, Mel Scott		Department Director / Extension			
Stockton Whitten		Assistant County Manager, Venetta Valdengo		 Mark Schollmeyer, Fire Chief/Director Teresa Camarata, Central Services Director			



Tammy Etheridge, Clerk to the Board, 400 South Street • P.O. Box 999, Titusville, Florida 32781-0999

Telephone: (321) 637-2001
Fax: (321) 264-6972

April 3, 2015

MEMORANDUM

TO: Mark Schollmeyer, Fire Chief Director

RE: Item II.A., Approval of Purchase for Replacement 2,500 Gallon Water Tanker

The Board of County Commissioners, in regular session on April 2, 2015, approved the purchase of one (1) replacement Tanker from Pierce through Ten-8 Fire Equipment, Inc., who is an approved vendor selected through a competitive bidding process (Florida Sheriffs Bid No. 15-11-0116 Specification #15 - 2500 Gallon Mobile Water Supply Apparatus) completed by the Florida Fire Chiefs Association, Florida Sheriffs Association, and Florida Association of Counties.

Your continued cooperation is always appreciated.

Sincerely,

BOARD OF COUNTY COMMISSIONERS
SCOTT ELLIS, CLERK

Tammy Etheridge, Deputy Clerk

/kg

cc: Finance
Budget

FLORIDA SHERIFFS ASSOCIATION, FLORIDA FIRE CHIEFS' ASSOCIATION, & FLORIDA ASSOCIATION OF COUNTIES

*Effective dates for Bid 15-11-0116 are: February 1, 2015 through March 31, 2016.

**SPECIFICATION #15 – 2500 GALLON MOBILE
WATER SUPPLY FIRE APPARATUS**

ALL ITEMS FACTORY INSTALLED UNLESS OTHERWISE INDICATED. The manufacturer supplied detailed build sheets are available for print and view via the links within the Awarded Bid Pricing Excel Spreadsheet.

1. DOCUMENTATION, DELIVERY, TRAINING

- a. When requested by end user, bidders to accurately state wheelbase, cab to axle, overall length, bumper swing turn radius, curb-to-curb turning radius, overall height, overall width, GVWR, angle of approach, angle of departure in submitted specifications
- b. Approval drawings provided prior to construction commencement
- c. Two (2) sets of operator and service manuals
- d. Delivery to be F.O.B. customer's location
- e. Pump test certification by independent third party
- f. Water tank capacity certification
- g. 12 volt and, if applicable, 110 volt testing by independent third party
- h. Vehicle weight, as measured by certified scales

2. COMMERCIAL 2-DOOR CHASSIS

- a. Two wheel drive
- b. Upgraded electrical system for emergency vehicle use to include a minimum of two batteries, minimum alternator(s) output of 220 amps.
- c. 110,000 psi heat treated steel frame with full length inner C-channel liner
- d. 16,000 pound minimum front axle, suspension, tubeless radial tires, steel disc wheels; 44,000 pound minimum rear tandem axle, suspension, tubeless radial tires, steel disc wheels
- e. Vehicle Data Recorder per Chapter 4.11 with required software
- f. Electronic Stability Control shall be provided in compliance with NFPA 1901 Chapter 4.13.1.2 if the manufacturer cannot comply with Chapters 4.13.1.1 through 4.13.1.1.3.2.
- g. Tire pressure monitoring system per Chapter 4.13.4

- h. Chrome or stainless steel front bumper
- i. Tow hooks or eyes front and rear attached to the frame
- j. Front and rear mud flaps
- k. S-cam air brakes, as large as possible, with automatic slack adjusters
- l. Minimum 13.2 cfm gear driven air compressor
- m. Air dryer, turn drain valves on reservoirs
- n. ABS brakes
- o. Power steering with tilt/telescopic wheel, if available

3. POWERTRAIN

- a. Minimum 330 horsepower turbocharged diesel engine
- b. Engine exhaust at front of right rear wheels
- c. Secondary engine braking to meet NFPA
- d. Drivelines to meet engine torque rating
- e. Automatic transmission
- f. 50 gallon minimum fuel tank
- g. OEM oil, fuel, transmission filters

4. 2-DOOR CAB

- a. Seating for two (2) – bucket style vinyl seats with NFPA compliant seat belts and seat belt warning system
- b. NFPA compliant 12-volt switches and instruments
- c. Air conditioning and heating
- d. Engine compartment light
- e. Dome/step lights meeting NFPA 1901
- f. Single tone cab paint finish with OEM standard paint warranty
- g. Driver remote controlled mirrors with separate flat and convex sections
- h. Dual type headlights
- i. Forward facing turn and warning lights
- j. Minimum two (2) under cab step lights
- k. Cab and compartment door ajar light and buzzer
- l. Engine compartment light
- m. 270 amp alternator
- n. Minimum two (2) 750 CCA batteries
- o. Load manager with automatic high idle function
- p. Dual air horns with dual in-cab controls
- q. 110 volt battery charger receptacle near driver's door

5. FIRE PUMP & PLUMBING

- a. Minimum 500 gpm midship mounted PTO pump per NFPA 1901 Chapter 16
- b. Discharge pressure relief valve
- c. Intake pressure relief valve
- d. Master drain valve

- e. Electric dry type primer
- f. Pump panel lights, 3 each side
- g. Pump compartment light
- h. OK to pump lights in cab and at pump panel
- i. Engine cooler
- j. Pump cooler
- k. One (1) 4.5" minimum steamer, on left side panel
- l. 2.5" left side gated suction
- m. 2-1/2" tank fill pump to tank fill
- n. Two 2.5" direct gated external tank fills
- o. Two 2" crosslay hose beds over the pump compartment
- p. One 2.5" left side discharge
- q. One 2.5" right side discharge
- r. Stainless steel piping with 10 year warranty
- s. Panel gauge package: water tank level, tach, oil pressure, water temperature, voltmeter, light and alarm system
- t. Side mount pump panel with gauges and all pump controls on driver side pump panel
- u. 2500 gallon polypropylene booster tank with lifetime warranty
- v. 3" tank to pump connection
- w. Minimum 10" x 8" fill tower with minimum 4" overflow tube
- x. 10" Square tank dump valve with manual control with 3-way dump capability

6. APPARATUS BODY

- a. Bidders to bid on each of their offered construction types:
 - Extruded aluminum
 - Formed aluminum
 - Formed galvanized steel
 - Formed stainless steel
- b. Bidders to state thicknesses, alloys and construction methods of all materials used in body construction
- c. Hard suction rack for two (2) lengths 10" x 4.5" minimum of hard suction
- d. Compartments: low side compartments both sides of body forward of and behind rear wheels; bidders to accurately state the total cubic footage of compartment space, along with each compartment size
- e. Lights in compartments to meet NFPA 1901 Chapter 13.10.5
- f. Back up alarm
- g. Hose bed with hose restraints to be NFPA compliant; including one (1) adjustable divider
- h. Steps and handrails for climbing from ground to hose bed – bidders to state exact design
- i. Lights at each step
- j. Stop/turn/back up lights
- k. DOT clearance and marker lights

- l. License plate light
- m. Rear deck lights
- n. Rub rail along each side of body and rear of body
- o. Running boards at each pump panel
- p. Brushed stainless steel or black non-glare aluminum pump panels
- q. Hose bed lighting must be provided per NFPA 1901 Chapter 13.10.2

7. EMERGENCY WARNING

- a. NFPA Zone A lower and upper level lighting
- b. NFPA Zone B / D lower level lighting
- c. NFPA Zone C upper and lower level lighting
- d. Electronic 200 watt siren/PA with minimum 100 watt speaker recessed in bumper
- e. All emergency warning lights, stop/turn/back-up lights, DOT clearance, pump panel, compartment, step, license plate, perimeter scene and interior dome lights to be LED.

8. PAINT FINISH

- a. Body to be painted single tone with 10 year pro-rated paint and corrosion perforation warranty
- b. Wheels painted to match the cab and body
- c. Cab paint to be covered by cab manufacturer's paint warranty

9. WARRANTY

- a. 1 year bumper to bumper mechanical, excluding normal wear and tear items
- b. 10 year body structural
- c. 10 year paint pro-rated on body
- d. 10 year corrosion perforation on body
- e. OEM Chassis manufacturer's standard warranty
- f. 5 year fire pump warranty
- g. Lifetime warranty on water tank

PROPOSAL FOR FURNISHING FIRE APPARATUS

February 4, 2015

Brevard County
351 Wenner Way
Cocoa, FL 32926

The undersigned is prepared to manufacture for you, upon an order being placed by you, for final acceptance by Pierce Manufacturing, Inc., at its home office in Appleton, Wisconsin, the apparatus and equipment herein named and for the following prices:

One (1) Pierce DX Tanker - Job #27085 ^L	\$ 238,756.00
Based on Florida Sheriff's Association Bid #15-11-0116, Specification #15	
Options per attached Proposal Option List	25,483.00
6.5% Discount on options	(1,656.00)
2015 Price rollback discount	(9,248.00)
Additional Dealer and Manufacturer discount	(16,778.00)
SEE PAGE - STOCK 27085 - OPTIONS	7,290.00
STOCK UNITS SUBJECT TO FIRST SALE	Total \$ 243,847.00

Said apparatus and equipment are to be built and shipped in accordance with the specifications hereto attached, delays due to strikes, war, or intentional conflict, failures to obtain chassis, materials, or other causes beyond our control not preventing, within about 45 working days after receipt of this order and the acceptance thereof at our office at Appleton, Wisconsin, and to be delivered to you at Brevard County FL..

The specifications herein contained shall form a part of the final contract, and are subject to changes desired by the purchaser, provided such alterations are interlined prior to the acceptance by the company of the order to purchase, and provided such alterations do not materially affect the cost of the construction of the apparatus.

The proposal for fire apparatus conforms with all Federal Department of Transportation (DOT) rules and regulations in effect at the time of bid, and with all National Fire Protection Association (NFPA) Guidelines for Automotive Fire Apparatus as published at the time of bid, except as modified by customer specifications. Any increased costs incurred by first party because of future changes in or additions to said DOT or NFPA standards will be passed along to the customers as an addition to the price set forth above.

Unless accepted within 30 days from date, the right is reserved to withdraw this proposition.

Pierce Manufacturing, Inc.

By: 

AUTHORIZED SALES REPRESENTATIVE

Michael Schneider



PERFORM. LIKE NO OTHER.

QSD1397

Revised: 12/29/2008

Brevard Stock 27085 Options

1. Rear Safety Vision Camera System \$1479.00
 2. Hose Storage Additional Behind Rear Axle DX \$491.00ea.
 3. Gauge, Water Level Wetside Class 1 Master \$1305.00
 4. Light Traffic Light Rear Code 3 NASL839-40.50" \$1652.00
 5. Extended Rear Tailboard \$1872.00
- Total Additions \$7,290.00



Proposal Option List

2/4/2015

Customer:		Bid Number:	447
Representative:	Schneider, Michael	Job Number:	
Organization:	Ten-8 Fire Equipment, Inc	Bid Date:	
Requirements Manager:		Stock Number:	27085
Description:	FL DX Tanker 1000 GPM	DBVersion:	02.00.0592.0000
Body:	Tanker, DX Style, Alum, Tandem Rear Axle, PMFD		
Chassis:	Freightliner M2-112, 6x4 Tandem Rear Axle, WITH PRICING		

Line	Option	Type	Option Description	Qty	Price
1	0551024		DX Tanker, BTO, Tandem Axle	1	0.00
2	0584455		Manufacture Location: Bradenton, Florida	1	0.00
3	0584453		RFP Location: Bradenton, Florida	1	0.00
4	0018257		Commercial chassis & Snorkel products	1	0.00
5	0581843		Boiler Plate, Elliptical, Dry Side, DX, FXP Tanker	1	0.00
6	0542373		Comply NFPA 1901 Changes Effect Jan 1, 2009, With Exceptions, Commercial Chassis	1	0.00
7	0545738		Mobile Water Supply Fire Apparatus, PMFD	1	0.00
8	0588609		Vehicle Destination, US	1	0.00
9	0568412		Agency, Apparatus Certification, Pumper/Tanker, Third Party, PMFD	1	0.00
10	0588617		Vehicle Certification, Tanker	1	0.00
11	0536644		Customer Service Website	1	0.00
12	0000113		Table of Contents	1	0.00
13	0537375		Unit of Measure, US Gallons	1	0.00
14	0010007		No Approval Drawing Req'd.	1	0.00
15	0008051		No Fire Department Defined	1	0.00
16	0646430	SP	Use chassis 26214, on site, in inventory.	1	-2,053.00
17	0080008		Warranty, Basic, 1 Year, Apparatus, Commercial Chassis, WA0008	1	0.00
18	0000005		Bid Bond, 10%	1	0.00
19	0540326		Performance Bond, Not Requested	1	0.00
20	0589819		Electrical Diagrams, Commercial	1	0.00
21	0583848		Freightliner M2-112, 6x4 Tandem Rear Axle, WITH PRICING	1	0.00
22	0652826		Base Price, Freightliner M2-112, 6x4, Pricing Level 3/1/2013, EXPIRED	1	36,035.00
23	0582821		Wheelbase, 203" to 214", FL M2-106/112/114SD Wheelbase - 208"	1	0.00
24	0584367		GVW Rating, Commercial Chassis GVW rating - 62,000	1	0.00
25	0579898		Frame, Chassis, Freightliner, 120 KSI	1	0.00
26	0582814		Frame Reinforcement, 1/4" Inner Liner, FL M2-106/112/114SD	1	0.00
27	0694857		Axle, Front, Meritor MFS-16-143A, 16k lb, FL, M2-112/114SD - Tandem Axle Chassis	1	3,192.00
28	0032596		Suspension, Front Parabolic Spring, 16,000 lb IHC, FL	1	0.00
29	0585779		Goodyear Tires (Default Brand)	1	0.00
30	0693859		Tires, Goodyear, 315/80R22.50	1	0.00
31	0582451		Wheel, steel, 22.50" x 9.00", Commercial Chassis	1	0.00
32	0693694		Axle, Rear, Meritor RT46-160, 46K, Freightliner M2-112/114SD	1	2,166.00
33	0073051		Shock Absorbers, Front	1	0.00
34	0073047		Suspen, Rear, Hendrickson RT 46,000 lb (spring) FLR	1	0.00
35	0582603		Dust Shields, Front and Rear Brakes, Tandem Axle, Freightliner	1	123.52
36	0693879		Tires, Goodyear, 11R22.50	1	0.00
37	0582450		Wheel, Steel, 22.50" x 8.25", Commercial Chassis	1	0.00
38	0012045		Mud flaps, w/Logo Rear	1	0.00
39	0544651		Top Speed of Vehicle, 60 MPH, Commercial Chassis	1	0.00
40	0533329		Chocks, Wheel, Mobile Water Supply, Provided by Fire Department	1	0.00
41	0544690		Mounting Brackets, Chocks, Provided by Fire Department	1	0.00
42	0582634		ABS, Wabco Anti-Lock Braking Sys w/Electronic Stability Pgm w/ATC, Tandem, FLR	1	0.00
43	0082996		Brakes, Cam Front, 16.50"x 6.00" Commercial	1	0.00
44	0580507		Air Compressor, Brake, BW, 19.0 CFM, Freightliner M2-112/SD114	1	0.00
45	0687210		Air Dryer, Brake, AD-IP w/Heater, FLR	1	283.00
46	0646424	SP	Engine, DD13 12.8L,410HP,1550 Torque,1,100 RPM,2010 Emissions, FLR M2-112	1	0.00
47	0580504		Auxiliary Brake,Engine Brake,Jacobs Compression,FLR M2-112/114 w/DD13, Hi/Off/Lo	1	0.00
48	0070832		Air Intake, w/Ember Separator, Supplier Installed, FL	1	0.00
49	0599221		Exhaust System, 2010, RH Horizontal, RH Step Mounted DPF/SCR, FL	1	0.00
50	0582865		Exhaust Modifications, Freightliner M2-106/112/114SD, Horizontal, PS Exit	1	0.00

Bid #:
447

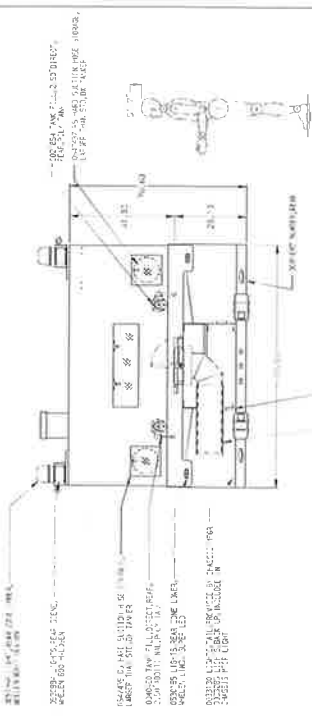
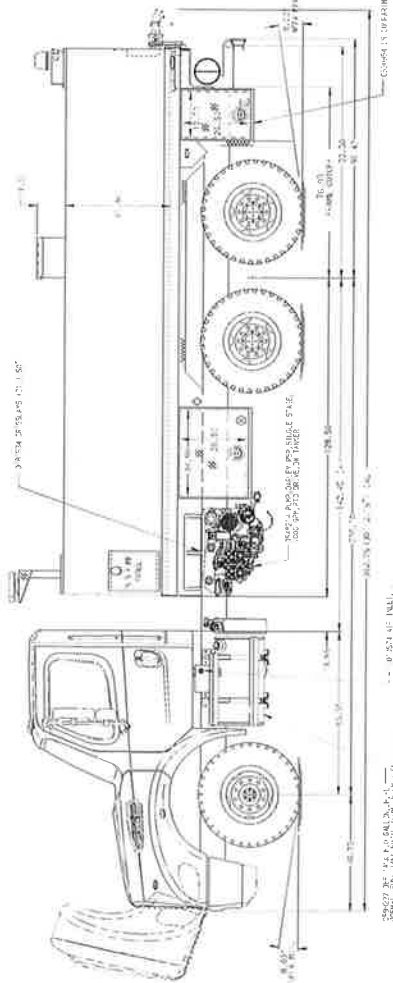
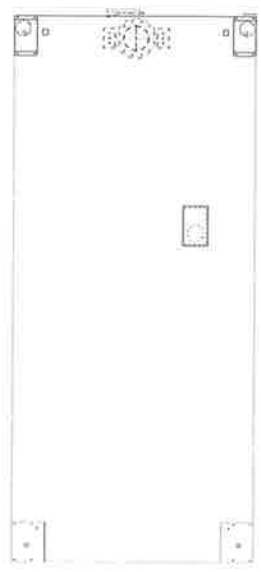
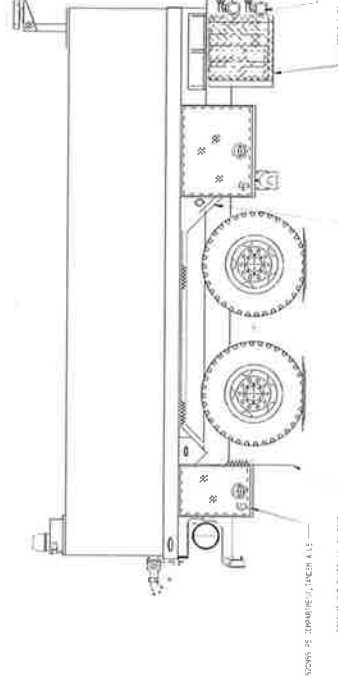
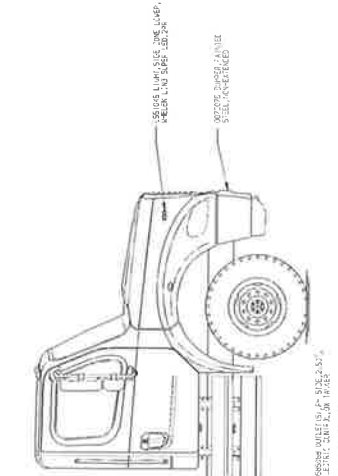
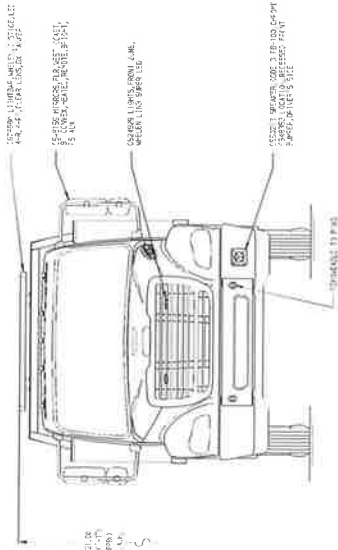
51	0061579	Coolant Hoses, Gates Blue Stripe, FL M2	1	0.00
52	0058311	Fuel Tank, 50 Gallon, Left Side, Aluminum, FL, M2-106/112/114SD	1	0.00
53	0599227	DEF Tank, 6.0 gallon, LH, Freightliner	1	0.00
54	0056038	Trans, Automatic, Allison 4000 EVS, w/(2) PTO Provsions, FLR	1	0.00
55	0670044	Transmission, Shifter, Push Button, 5 Speed, Freightliner Trans, ratio - 4000 EVS, 5Spd	1	0.00
56	0012875	Transmission Oil Cooler, External, Commr	1	0.00
57	0010574	Air Inlet, w/Disconnect Coupling, Commercial Chassis Location, Air Coupling(s) - a) DS Step Well	1	0.00
58	0582408	Steering, Tilt/Telescope Column, Freightliner	1	0.00
59	0073076	Bumper, Non-extended, Painted Steel, Freightliner M2	1	-272.00
60	0001247	High Idle w/Electronic Engine, Commercial	1	0.00
61	0693352	Cab, 2-door, Flat Roof, Freightliner M2-112/114SD	1	0.00
62	0024341	Cab Interior, Freightliner, Gray	1	0.00
63	0694563	Grille, Chrome, w/Conv and Ext Appearance Pkg, 2-Door Cab, FL, M2-106/112	1	276.00
64	0548159	Mirrors, FLR, West Coast, 8"Convex, Heated, Remote,Bright,PS Aux, M2-106/112/114	1	0.00
65	0552793	Not Required, Fuel Priming Pump	1	0.00
66	0552712	Not Required, Shutoff Valve, Fuel Line	1	0.00
67	0023746	Cooler, Chassis Fuel, Not Req'd.	1	0.00
68	0582745	Steps, Cab, as Supplied by Freightliner	1	0.00
69	0021516	Warranty, 5-Year EVS Transmission, Standard Comm, WA0187	1	0.00
70	0011370	Driveline, Commr Chassis	1	0.00
71	0582790	Daytime Running Lights, Freightliner	1	0.00
72	0561616	Air Conditioning, Freightliner	1	0.00
73	0660140	No Console Required	1	0.00
74	0003245	Axle Hub Covers w/center hole, S/S, Front Axle	1	93.86
75	0013241	Axle Hub Covers, Rear, S/S High Hat (Tandem)	1	404.44
76	0057936	Covers, Lug Nut, Chrome	1	108.53
77	0545391	Tire Pressure Monitoring Valve Cap Qty, Tire Pressure Ind - 10	1	143.15
78	0584368	Seating Capacity, Cab, Commercial, NOT FOR FUTURE USE Qty, - 03	3	0.00
79	0582134	Seats, Cab, Air Driver w/2-Man Bench, Freightliner	1	0.00
80	0581771	Seat Belts, Orange, Commercial Chassis	1	0.00
81	0691237	Seat Belt Monitoring System	1	0.00
82	0027013	Not Required, Peeper Window	1	0.00
83	0544336	Portable Hand Light, Provided by Fire Department, Mobile Water Supply	1	0.00
84	0584358	Cab Instrumentation, Commercial Chassis	1	0.00
85	0058045	Panel, Emergency Switch, Overhead, Freightliner M2	1	0.00
86	0005897	Wiring, Commercial Chassis, NOT FOR FUTURE USE	1	0.00
87	0649239	Single Start, (3) Grp 31, 1125CCA each, 3375 Total CCA, FLR M2-112/114SD	1	0.00
88	0583991	Batteries Relocated by Pierce, 2-Door Cab Location, Batteries - DS Front Compt	1	248.63
89	0036234	Receptacle, Battery Charging, Cab Step Area, Driver's Side	1	0.00
90	0012778	No Pick Required, Battery Charger Location	1	0.00
91	0530960	Not Required, Remote Battery Charger Indicator	1	0.00
92	0595797	Alternator, 275 amp, Delco Remy 40SI, FLR	1	0.00
93	0072224	Bumper Gap, Commercial	1	0.00
94	0040194	Load Manager, Kussmaul 2 Channel	1	-1,458.00
95	0582743	Cab Lighting, LED Marker Lights, Freightliner	1	31.76
96	0033130	Lights, Tail, Supplied by Chassis Mfgr	1	-790.00
97	0033285	Lights, Backup, Included in Chassis Mfgr Light Cluster, USFS, MTRV, DX	1	-504.00
98	0013220	Tow Hooks, Painted - FLR, IHC, Ford, Kw, Pbt	1	0.00
99	0664481	Bracket, License Plate & Light, P25 LED	1	0.00
100	0589905	Alarm, Back-up Warning, PRECO 1040	1	0.00
101	0687610	Lights, Perimeter Scene Cab Exits, Truck-Lite 6060C LED Grommet Mt 2 Dr	1	-286.00
102	0551175	Lights, No Lights Req'd, Perm Scene, Body, DX Tanker	1	-500.00
103	0073999	No Crew Cab Seats, 2-door cab	1	0.00
104	0551164	Seat Belt Web Length, Commercial Chassis	1	0.00
105	0543917	Helmet Storage, Provided by Fire Department	1	0.00
106	0005940	Lights, Engine Compt, (2) Commercial Chassis	1	0.00
107	0509487	Lights, Cab Access Steps, P25, LED, 4 Lights	1	0.00
108	0072620	Wiper control, intermittent feature Commercial	1	0.00
109	0535234	Vehicle Data Recorder, Single Module	1	0.00

110	0072685	Selector, Single Start Battery, Commercial Chassis	1	0.00
111	0545073	Amp Draw Report, NFPA 2009 Edition	1	0.00
112	0002758	Amp Draw, NFPA Radio Allowance	1	0.00
113	0002902	Manual, Commercial Chassis Operation	1	0.00
114	0518784	Tanker, DX Style, Alum, Tandem Rear Axle, PMFD	1	-10,488.00
115	0555107	Tank, Water, Poly, DX Tanker, 3000 Gallon, Intg Portable Tank Compt, 4way Door	1	-4,829.00
116	0028107	Not Required, Foam Cell Modification	1	0.00
117	0556517	Restraint, Water Tank, Dry Side or DX Tanker	1	-499.00
118	0059109	No Tank Access Ladder Required, DX Tanker/ICAO Value ARFF	1	0.00
119	0027805	Overflow, 6" Poly, Dry Sides/DX Tanker/ICAO Value ARFF	1	0.00
120	0021854	Tank Fill, 2.50" Direct, Rear, Poly Tank	1	0.00
		Location, driver's/passenger's/center - passenger's		
		Adapter, Elbow - 2.5"NST		
121	0040460	Tank Fill, Direct, Rear 2.5" Additional, Poly Tank, PMFD Tanker	1	0.00
		Qty, - 1		
		Location, driver's/passenger's/center - driver's		
		Adapter, Elbow - 2.5"NST		
122	0048710	Jet Assist Not Req'd	1	0.00
123	0081336	Dump, 10" Rear, Manual Control, DX Tanker	1	0.00
124	0081337	Dump Chute, Rear, 90 Degree Swing Chute, Manual	1	0.00
125	0028740	No Drivers Side Dump Req'd	1	0.00
126	0028767	No Dump Chute Req'd, DS	1	0.00
127	0028741	No Pass Side Tank Dump Req'd	1	0.00
128	0028759	No Dump Chute Req'd, PS	1	0.00
129	0081354	No Hose Bed, DX Tanker/Hawk EX	1	-4,343.00
130	0073494	Not Required, Divider, Hose Bed	1	-489.00
131	0000728	Not Required, Running Boards, Body	1	0.00
132	0081687	Bumper, DX Tanker	1	0.00
133	0681298	Wall, Rear, Material, Smooth Poly, DX , FXP, Tanker	1	0.00
134	0003540	Tow Eyes (2) (Tanker/Rescue)	1	0.00
135	0081356	Construction, DX Tanker	1	0.00
136	0520954	DS Compartment, Tandem Axle, DX Tanker, PMFD	1	0.00
137	0547435	DS Hard Suction Hose Storage, 6" Hose or Less, DX Tanker, Alum Treadplate Door	1	1,054.70
138	0520955	PS Compartment, Tandem Axle, DX Tanker, PMFD	1	0.00
139	0547437	PS Hard Suction Hose Storage, 6" Hose or Less, DX Tanker, Alum Treadplate Door	1	1,054.70
140	0081399	Doors, Treadplate, Double Pan w/D" Handle, Side Cmpt,	1	0.00
141	0048732	No Rear Compt Req'd - Elliptical/Dry Side/Tanker	1	0.00
142	0687139	No Shelf Tracks Required	1	0.00
143	0634662	SP Compartment, Storage, Behind Cab, DX Tanker Only	1	2,000.00
144	0014015	Rub Rail, Not Required	1	-94.00
145	0081701	Fenders, Aluminum Treadplate, Rear, Tandem Axle, DX Tanker	1	-338.00
146	0519849	Not Required, Hose, Hard Suction	1	0.00
147	0022041	No Handrails Req'd @ Side Pump Panel, No Pump Module	1	0.00
148	0044229	No Extension Ladder Req'd	1	0.00
149	0074231	No Roof Ladder Req'd	1	0.00
150	0557331	Not Required, Ladder Storage	1	0.00
151	0074248	Not Required, Folding Ladder	1	0.00
152	0543349	Pike Pole, 6', Mobile Water Supply, Provided by Fire Department	1	0.00
		Pike Pole/Hook End, Fire Hooks Unlimited - *		
		Pike Pole Shaft, Fire Hooks Unlimited - *		
153	0064388	No Steps Front of Body	1	0.00
154	0014381	Not Required, Rear Step (No rear door)	1	0.00
155	0548214	Pump, Darley, PSP, 1000 GPM, Single Stage, PTO Drive, DX Tanker	1	5,542.00
156	0551160	Mechanical Seals, Darley HM/PSP, DX Tanker	1	0.00
157	0091446	Pump Setup Charges N/A	1	0.00
158	0014633	Transmission, PTO, 3 Gear, Darley Pump	1	0.00
159	0017177	Pumping Mode	1	0.00
		Pumping Mode - Pump in Motion		
160	0535276	Shift, Pump PTO	1	0.00
161	0581602	Transmission Lock-up, Not Req'd, PTO Pump	1	0.00
162	0551157	Auxiliary Cooling System, Darley	1	0.00
163	0014486	(No Transfer Valve Required on 1 Stage Pump)	1	0.00
164	0540425	Valve, Relief Intake, TFT, Set @ 125 PSI	1	0.00
165	0084203	Controller, Pressure - FRC Auto Control (by Darley), DX Tanker	1	-3,053.00

166	0081519	Primer, Darley, DX Tanker Program	1	151.00
167	0004560	Manuals, Pump (2)	1	0.00
168	0020624	Plumbing, Stainless Steel and Hose, PMFD/Hawk EX	1	0.00
169	0089437	Plumbing without Foam System	1	0.00
170	0004638	Inlets, 6.00" - 1000 GPM Pump, Driver's Side Only	1	0.00
171	0017541	Cap, Main Pump Inlet, Rocker Lug, NST, VLH	1	0.00
172	0084610	Valves, Akron 8000 series- All	1	0.00
173	0081649	Inlet, Left Side, 2.50", DX Tanker	1	0.00
174	0029147	Not Required, Inlet, Right Side	1	0.00
175	0074685	Not Required, Inlet Installation	1	0.00
176	0064700	No Inlet Control Required	1	0.00
177	0092569	No Rear Inlet (Large Dia) Requested	1	0.00
178	0092696	Not Required, Cap, Rear Inlet	1	0.00
179	0064116	No Rear Inlet Actuation Required	1	0.00
180	0009648	No Rear Intake Relief Valve Req'd	1	0.00
181	0092568	No Rear Auxiliary Inlet Requested	1	0.00
182	0521885	Valve, .75 Bleeder, Aux. Push/Pull, Side Inlet, DX Tanker	1	0.00
183	0097160	Tank to Pump, (1) 4.00" Valve, 4.00" Plumbing, Handwheel Control, Butterfly Valve	1	1,170.61
184	0027900	Tank Fill, 2.00"	1	0.00
185	0081518	Outlet, Left Side, DX Tanker Program	2	1,483.00
		Qty, Discharges - 02		
186	0092570	Not Required, Outlets, Left Side Additional	1	0.00
187	0585068	Outlet(s), RH Side, 2.50", Electric Control, DX Tanker	2	4,581.00
		Qty, Discharges - 02		
188	0092571	Not Required, Outlets, Right Side Additional	1	0.00
189	0585059	Not Allowed, Outlet, Large Diameter, DX Tanker w/1000 gpm Pump	1	0.00
190	0092572	Not Required, Outlet, Front	1	0.00
191	0092575	Not Required, Outlet, Rear	1	0.00
192	0092574	Not Required, Outlet, Rear, Additional	1	0.00
193	0092573	Not Required, Outlet, Hose Bed/Running Board Tray	1	0.00
194	0085076	Caps for 1.50" to 3.00" Discharge, VLH	1	0.00
195	0511173	Valve, Bleeder - .75" Push/Pull, DX Tanker	1	0.00
196	0055095	Not Required, Elbow, Left Side Outlets, 2.50"	1	0.00
197	0035094	Not Required, Elbow, Left Side Outlets, Additional	1	0.00
198	0675976	SP Not Required, Elbow, Right Side Outlets, 45 Degree	1	0.00
199	0089584	Not Required, Elbow, Right Side Outlets, Additional	1	0.00
200	0045099	Not Required, Elbow, Rear Outlets	1	0.00
201	0085695	Not Required, Elbow, Rear Outlets, Large, Additional	1	0.00
202	0007308	Not Required, Elbow, Large Diameter Outlet	1	0.00
203	0551158	Control, Outlets, At Valve, DX Tanker	1	0.00
204	0029106	Not Required, Deluge Outlet	1	0.00
205	0029302	No Monitor Requested	1	0.00
206	0029304	No Nozzle Req'd	1	0.00
207	0029107	No Deluge Mount	1	0.00
208	0534940	Box, Alum 4-Way, Rolled Hose Storage, DX Tanker	1	561.66
209	0081534	Crosslays(2), 1.50", DX Tanker Program	1	0.00
210	0029196	Not Required, 2.50" Crosslay	1	0.00
211	0029260	Not Required, Speedlays	1	0.00
212	0591145	Hose Restraint, Crosslay/Deadlay, Top and Ends, Elastic Netting	2	0.00
		Qty, - 02		
213	0537225	Not Required, Foam System, DX Tanker	1	0.00
214	0012126	Not Required, CAF Compressor	1	0.00
215	0552517	Not Required, Refill, Foam Tank	1	0.00
216	0042573	Not Required, Foam System Demonstration	1	0.00
217	0045465	Not Required, Foam Tanks	1	0.00
218	0091110	Not Required, Foam Tank Drain	1	0.00
219	0091079	Not Required, Foam Tank #2	1	0.00
220	0091112	Not Required, Foam Tank Drain	1	0.00
221	0081491	Not Required, Pump House, DX Tanker Program	1	0.00
222	0000261	Not Required, Pump Panel Layout	1	0.00
223	0514020	Material, Pump Panels, Stainless Steel, DX Tanker	1	0.00
224	0081545	Pump Access, DX Tanker Program	1	0.00
225	0050398	Pump House Structure, N/A	1	0.00
226	0531135	Engine Indicators, Included With Fire Research Pressure Controller	1	0.00

227	0005601	Throttle Included w/ Pressure Controller	1	0.00
228	0549333	Indicators, Engine, Included with Pressure Controller	1	0.00
229	0084207	Not Required, Gauges, Vac/Pressure, FRC Auto Control	1	0.00
230	0511100	Gauge, 2.00" Pressure, Class 1, 30"-0-400psi	1	0.00
231	0062847	Gauge, Water Level, Class 1, Pierce Std.	1	0.00
232	0006774	Not Required, Foam Level Gauge	1	0.00
233	0081546	Lighting for Pump Controls, DX Tanker Program	1	0.00
234	0048225	Lights, Step, No Lights Required	1	-406.00
235	0006133	Siren, Code 3 3692 100W or 200W	1	0.00
236	0065403	Location, Elect Siren, Overhead, Freightliner M2 -106/112/114SD	1	0.00
237	0091876	Lights, Identification/Clearance, Rear, DO NOT USE, OPTION OBSOLETED	1	0.00
238	0006145	Control, Elec Siren, Horn Ring, PS Foot Sw	1	0.00
239	0550213	Speaker, Code 3, PB100C, Chrome	1	0.00
		Qty, Speakers - 1		
		Connection, Speaker - siren head		
240	0005937	Light, Do not move apparatus, Commercial	1	0.00
		Alarm, Do Not Move Truck - No Alarm		
241	0548352	Location, Recessed in the Front Bumper, Driver Side	1	0.00
242	0645181	SP No Pick Required	1	0.00
243	0005926	Light, Open Door - Commercial Std	1	0.00
244	0005920	Lights, Compt, Truck-Lite, Model 79384 Incandescent	1	-415.00
245	0001836	No Light, No Pump Compartment	1	0.00
246	0676580	Lightbar, Whelen, Justice, LED, 4-R, 4-RC, Clear Lens, DX Tanker	1	0.00
247	0530984	Lights, Rear Scene, Whelen 600 Halogen, DX Tanker/ICAO Value ARFF	1	353.00
248	0520666	SP Mounting, Lightbar, On cab roof, DX Tanker	1	0.00
249	0056087	Not Required, Deck Lights, Rear	1	-281.00
250	0524929	Lights, Front Zone, Whelen LIN3 Super LED, Comm	1	0.00
251	0551045	Lights, Side Zone Lower, Whelen LIN3 Super LED, 2pr	1	346.00
		Location, lights rear - in the fender panels		
		Location, Lights Frt Side - a)each side engine hood		
		Color, Lt, Rear Fender - r)red		
252	0530165	Lights, Rear Zone Lower, Whelen LIN3 Super LED	1	280.00
253	0057366	Light, Rear Zone Upper, Whelen RB6T Beacon	1	561.00
		Color, Dome, Rear Warning - e)DS red & PS amber		
254	0006551	Not Required, Lights, Rear Upper Zone Blocking	1	0.00
255	0081666	Rear Warning Brackets, DX Tanker	1	213.24
256	0519934	Not Required, Brand, Hydraulic Tool System	1	0.00
257	0007150	Bag of Nuts and Bolts	1	0.00
		Qty, Bag Nuts and Bolts - 1		
258	0532869	NFPA Required Loose Equipment, Mobile Water Supply, Provided by Fire Department	1	0.00
259	0519913	Not Required, Soft Suction Hose	1	0.00
260	0027023	No Strainer Required	1	0.00
261	0533271	Extinguisher, Dry Chemical, Mobile Water Supply, Provided by Fire Department	1	0.00
262	0533281	Extinguisher, 2.5 Gal. Press. Water, Mobile Water, Provided by Fire Department	1	0.00
263	0533265	Axe, Flathead, Mobile Water Supply, Provided by Fire Department	1	0.00
264	0007492	Not Required, Axes, Pickhead	1	0.00
265	0586561	Chassis Cab Paint, #90 Red, Standard	1	0.00
		Paint Color, Commercial, Std - #90 Candy Apple Red		
266	0583915	No Two-Tone Paint Req'd	1	0.00
267	0583882	Paint, 90 Red, Commercial Grade Chassis Finish, PMFD Comm Chassis w/Pricing	1	0.00
		Paint Color, Commercial, Std - #90 Candy Apple Red		
268	0582663	Paint, Chassis Frame Assy, Black, by Commerical Chassis Mfgr	1	0.00
269	0651107	Paint, Wheels, By Chassis Manufacturer, Tandem Rear Axle, Commercial	1	0.00
270	0651180	Wheels, Silver Accent Stripe on Outer Edge, Tandem Axle	1	305.64
271	0081667	Compartment, Unpainted, PMFD	1	0.00
272	0544087	Reflective Band, 6"	1	0.00
		Color, Reflect Band - A - a) white		
273	0007357	Reflective on Front Bumper	1	0.00
274	0551061	Stripe, Chevron, Rear, Diamond Grade, DX Tanker	1	0.00
		Color, Rear Chevron DG - fluorescent yellow green		
275	0027341	Jog, In Reflective Stripe, Single or Multiple	1	201.20
		Qty, - 1		
276	0065780	Stripe, Reflective, Cab Drs Interior, Commercial Cabs, 2dr	1	0.00
		Color, Reflective - a) white		

277 0027286	Not Required, Lettering Specs	1	0.00
278 0007472	[Lettering not Requested]	1	0.00
279 0509860	Manual on CD, Body Parts Only, Commercial Product	1	0.00
280 0032426	Manuals, Two (2) Service, Comm	1	0.00
281 0681678	Warranty, Basic Vehicle, 3 yrs or 100,000 Miles, FL M2-106/112/114SD	1	0.00
282 0595282	Warranty, Cab Paint, As Provided By Chassis Manufacturer, Commercial	1	0.00
283 0596025	Warranty, Structure, 10 Year, Body, WA0009	1	0.00
284 0690936	Warranty, Roll up Doors, Not Required	1	0.00
285 0582368	Warranty, Pump, Darley, 6 Year Parts, 3 Year Labor, WA0179	1	0.00
286 0648675	Warranty, 10 Year S/S Pumbing, WA0035	1	0.00
287 0688015	Warranty, Water Tank, Lifetime, UPF, Poly Tank, WA0195	1	0.00
288 0595820	Warranty, Paint, 10 Year, Body, Pro-Rate, WA0057	1	0.00
289 0593921	Not Required, Warranty, No Lettering	1	0.00
290 0683627	Certification, Vehicle Stability, CD0089	1	0.00
291 0544897	Certification, Cab Integrity, Freightliner, CD0022	1	0.00
292 0000017	FLORIDA DIVISION BODY	1	0.00
293 0000015	FLORIDA DIVISION COMMERCIAL CHASSIS	1	0.00
294 0004713	ENGINE, OTHER	1	0.00
295 0046396	EVS 4000 Series TRANSMISSION	1	0.00
296 0018574	DARLEY PUMP	1	0.00
297 0089358	DRY SIDE - TANK	1	0.00
298 0028047	NO FOAM SYSTEM	1	0.00
299 0020006	SIDE CONTROL	1	0.00
300 0020007	AKRON VALVES	1	0.00
301 0020909	ABS SYSTEMS, Commercial	1	0.00
302 0658751	Manufacturing Attribute	1	0.00
Total List:			\$25,482.64



		MUNICIPALITY OF		INC.		27085AD	
MODEL 27085AD	DATE 10-12-12	REV 1	BY J. S.	CHKD J. S.	APP'D J. S.	DATE 10-12-12	SCALE 1:1
TITLE CHASSIS DRAWING	DATE 10-12-12	REV 1	BY J. S.	CHKD J. S.	APP'D J. S.	DATE 10-12-12	SCALE 1:1
DESCRIPTION CHASSIS DRAWING	DATE 10-12-12	REV 1	BY J. S.	CHKD J. S.	APP'D J. S.	DATE 10-12-12	SCALE 1:1
REVISIONS	DATE	REV	BY	CHKD	APP'D	DATE	SCALE

NOTE
 DIMENSIONS GIVEN ARE APPROXIMATE AND ARE SUBJECT TO THE DESIGN OF THE CHASSIS.
 DIMENSIONS ARE IN INCHES.
 DIMENSIONS ARE IN MILLIMETERS.